

Company name (official): KYB Corporation (KAYABA INDUSTRY CO., LTD.)
 Stock listing: Tokyo Stock Exchange (First Section)
 Code number: 7242
 Representative Director, President Executive Officer: Masao Usui

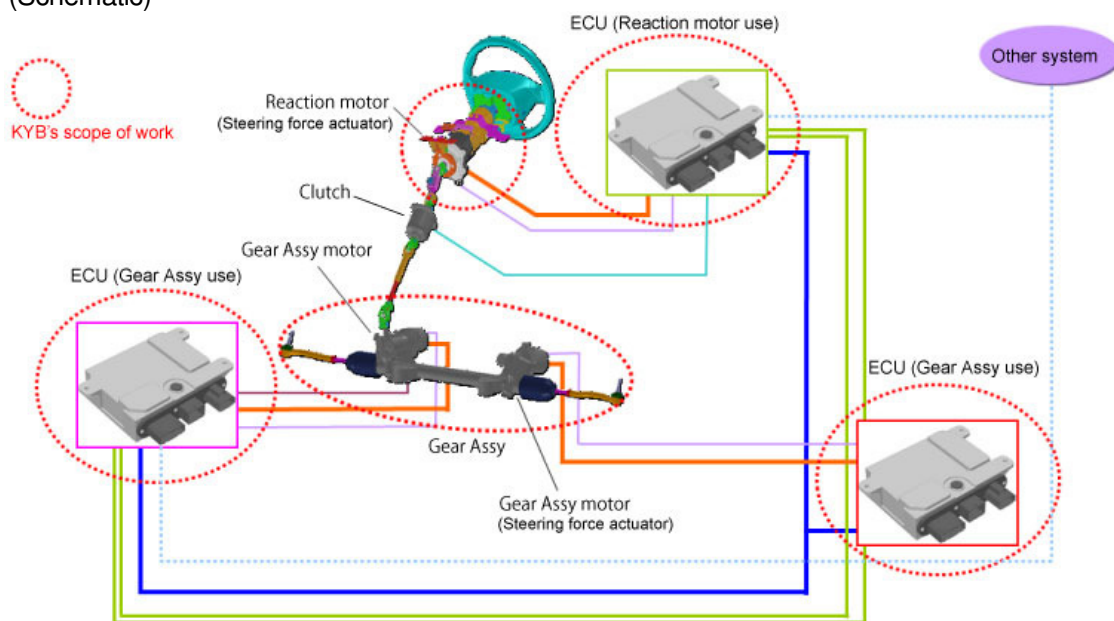
World-first Technology: Mass Production of Components for Next-generation Steering Technology

KYB Corporation is developing, manufacturing, and supplying the Electronic Control Unit (ECU), Gear Assy, and reaction motor for the direct adaptive steering, a world-first next-generation steering technology, to be equipped in the Skyline model which is planned for release by Nissan Motor Co., Ltd.

In April 2012, KYB established the Electronics Technology Center to strengthen our electronics technology by concentrating our design, evaluation, and manufacturing technologies for electronic components. Upon receiving the order for the production of the components for the direct adaptive steering, KYB's wholly owned subsidiary KYB Trondule Co., Ltd. (KYB-TD) established its No. 2 Plant, a dedicated plant for vehicle-use ECUs, which are currently under production. Also, a dedicated line was newly established at KYB's Gifu North Plant, where assembly of Gear Assy and reaction motors is under way. Moving forward, we will organize an integrated system for electronic components that covers from product development to the prototype, evaluation, and mass production stages, further strengthening our development and manufacturing capabilities.

Start of production:	KYB-TD No. 2 Plant	April 2013
	Gifu North Plant dedicated line	April 2013
Capital investment:	KYB-TD No. 2 Plant	Approx. ¥2.4 billion
	Gifu North Plant dedicated line	Approx. ¥1.0 billion

(Schematic)



Outline of KYB-TD

- (1) Company name: KYB Trondule Co., Ltd.
- (2) Representative: Eiji Kaneko
- (3) Location: 3909 Ura, Nagaoka City, Niigata 949-5406, Japan
- (4) Date of establishment: June 1, 2004
- (5) Principal business: Development, production, and sales of onboard electronic components, GPS, and network peripheral devices
- (6) Number of employees: Approx. 150



No. 2 Plant (Dedicated plant for vehicle-use ECUs)



Clean room

For more information, please contact:

Public Relations Dept., Corporate Planning Div., KYB Corporation
(Contact: Mr. Maeyama / Mr. Fukuda) TEL +81-(0)3-3435-3552