

KYB NEWS

KYB launched a Electric Power Steering System for Powersport Vehicles

KYB has developed and launched the electric power steering system for powersport vehicles*1.

In addition to its compact size and horsepower*2 generated by a brushless motor with integrated ECU developed in-house, this product can be deployed in a host of devices due to the standardized design of its core functional parts.

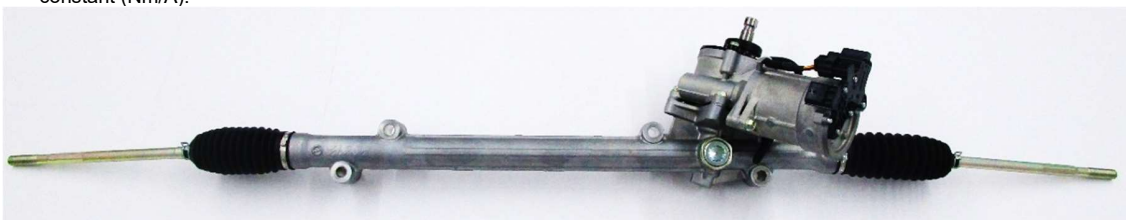
In markets such as those of powersport vehicles, construction machinery, and agricultural machinery, there is an increasing need for electric power steering system to be installed not only in terms of improving maneuverability but also from the viewpoint of automatic steering.

This product is adopted by Polaris Industries Inc. in the U.S. for its three-wheeled motorcycle “Slingshot”. And KYB continues to increase the number of models in which our product is used as well as develop new system-related products.

The brushless motor with integrated ECU installed in this product can be sold as an actuator as a single unit. It can be used for various applications by adapting the software and customizing the magnet and motor length according to necessary torque.

*1 Powersport vehicles is a general term used for sports vehicles such as motor cycles, off-road vehicles, and snowmobiles that combine both a fun driving experience with high performance.

*2 Compared to our products to date (brushed motor and separate controller): The weight of the electrical components including the motor and controller reduced by approximately 20% and the horsepower increased by 1.5-fold when converting to torque constant (Nm/A).

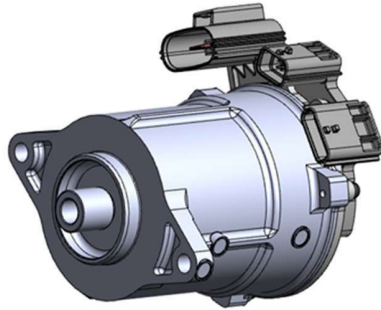


Electric Power Steering System for Powersport Vehicles



“Slingshot” of Polaris Industries Inc.

Published by the Public Relations Department at
KYB Corporation on January 25, 2021



brushless motor with integrated ECU

For details, see KYB Technical Report #60.

https://www.kyb.co.jp/technical_report/data/no60j/11_technology_explanation.pdf

Contact address: Public Relations Department, Corporate Planning Division,
KYB Corporation TEL: 03-3435-3552

End of Document